

**NEW PRODUCT PREVIEW**

## NEW PRODUCT LINE

**Sure-Tuff™  
BYCS Series  
Butterfly Valves**

2" TO 8" PVC

## KEY FEATURES

- Wafer Body Design
- Fits ANSI 125 or PN10 Flange Patterns
- PVC Body with PVC Disc
- 410 Grade Stainless Steel Stem
- EPDM Booted Liner
- ISO 5211 Mounting Pad
- 9 Position Throttle Plate
- Standard Lockout Handlever

## BENEFITS

- High Flow Capacity
- Low Pressure Drop
- Economical Alternative to Metal Butterfly Valves

## OPTIONS

- Gear Operators
- Electric or Pneumatic Actuators

## TYPICAL APPLICATIONS

- Water and Wastewater Treatment
- Chemical Processing
- Marine and Corrosive Environments
- Pools, Water/Theme Parks and Aquariums
- Irrigation

## MATERIALS

- PVC
- EPDM Liner and Seals



## EXPLODED VIEW

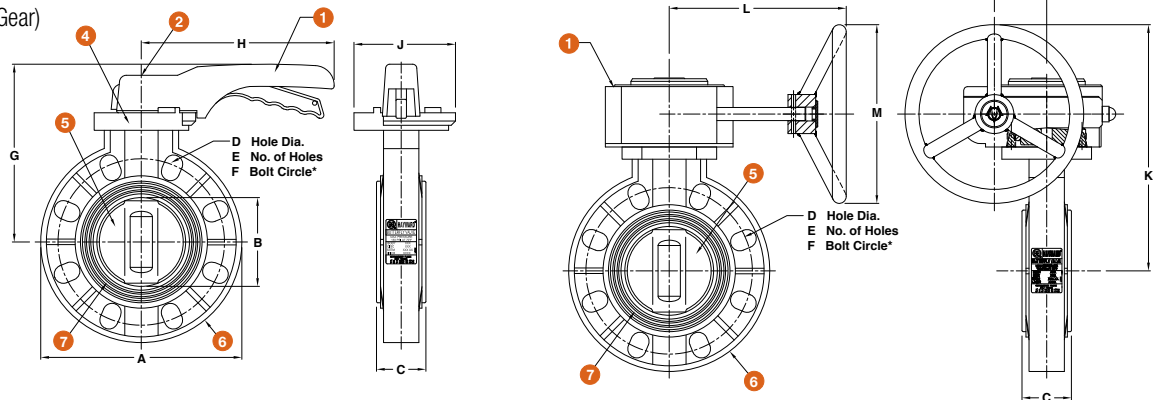


# Sure-Tuff™ BYCS Butterfly Valve

2" TO 8" PVC

## PARTS LIST

1. Operator (Lever or Gear)
2. Bezel (Screw)
3. SSSL Stem
4. Throttle Plate with Screws
5. Disc
6. Body
7. Liner



## DIMENSIONS - INCHES/MILLIMETERS

SIZE in / DN	A in / mm	B in / mm	C in / mm	D in / mm	E # of holes	F in / mm	G in / mm	H in / mm	J in / mm	K in / mm	L in / mm	M in / mm	N in / mm
2 / 50	6.30 / 160	2.13 / 54	1.75 / 44	.75 / 19	4	4.75 / 102	6.37 / 162	8.66 / 220	4.26 / 108	9.52 / 242	9.69 / 246	8.00 / 203	2.36 / 60
2-1/2 / 63	7.08 / 180	2.64 / 67	1.89 / 48	.75 / 19	4	5.50 / 140	6.73 / 171	8.66 / 220	4.26 / 108	9.88 / 251	9.69 / 246	8.00 / 203	2.36 / 60
3 / 80	7.70 / 196	3.27 / 83	2.09 / 53	.75 / 19	4	6.00 / 152	7.44 / 189	9.80 / 249	8.43 / 214	10.59 / 269	9.69 / 246	8.00 / 203	2.36 / 60
4 / 100	9.06 / 230	3.98 / 101	2.24 / 57	.75 / 19	8	7.50 / 191	7.95 / 202	9.80 / 249	4.26 / 108	11.10 / 282	9.69 / 246	8.00 / 203	2.36 / 60
5 / 125	10.00 / 254	5.00 / 127	2.68 / 68	.88 / 22	8	8.50 / 216	9.96 / 253	12.60 / 320	5.84 / 148	12.34 / 313	9.69 / 246	8.00 / 203	2.36 / 60
6 / 150	11.19 / 284	5.98 / 152	2.87 / 73	.88 / 22	8	9.50 / 241	10.48 / 266	12.60 / 320	5.84 / 148	12.86 / 326	9.69 / 246	8.00 / 203	2.36 / 60
8 / 200	13.54 / 344	7.88 / 200	3.62 / 92	.88 / 22	8	11.75 / 298	12.17 / 309	12.60 / 320	5.84 / 148	14.55 / 370	9.69 / 246	8.00 / 203	2.36 / 60

Dimensions are subject to change without notice – consult with factory for installation information

## Cv VALUES

DISC ANGLE	15°	30°	45°	60°	75°	FULL OPEN
SIZE in / DN	Cv VALUES					
2 / 50	1	6	24	32	84	120
2-1/2 / 63	3	13	50	108	175	250
3 / 80	4	15	60	129	210	300
4 / 100	7	24	94	202	329	470
5 / 125	13	42	166	357	581	830
6 / 150	18	55	220	473	770	1,100
8 / 200	90	125	500	1,075	1,750	2,500

## PRESSURE LOSS CALCULATION FORMULA

$$\Delta P = \left[ \frac{Q}{C_v} \right]^2$$

$\Delta P$  = Pressure Drop  
 $Q$  = Flow in GPM  
 $C_v$  = Flow Coefficient

## OPERATING TEMPERATURES / PRESSURE

